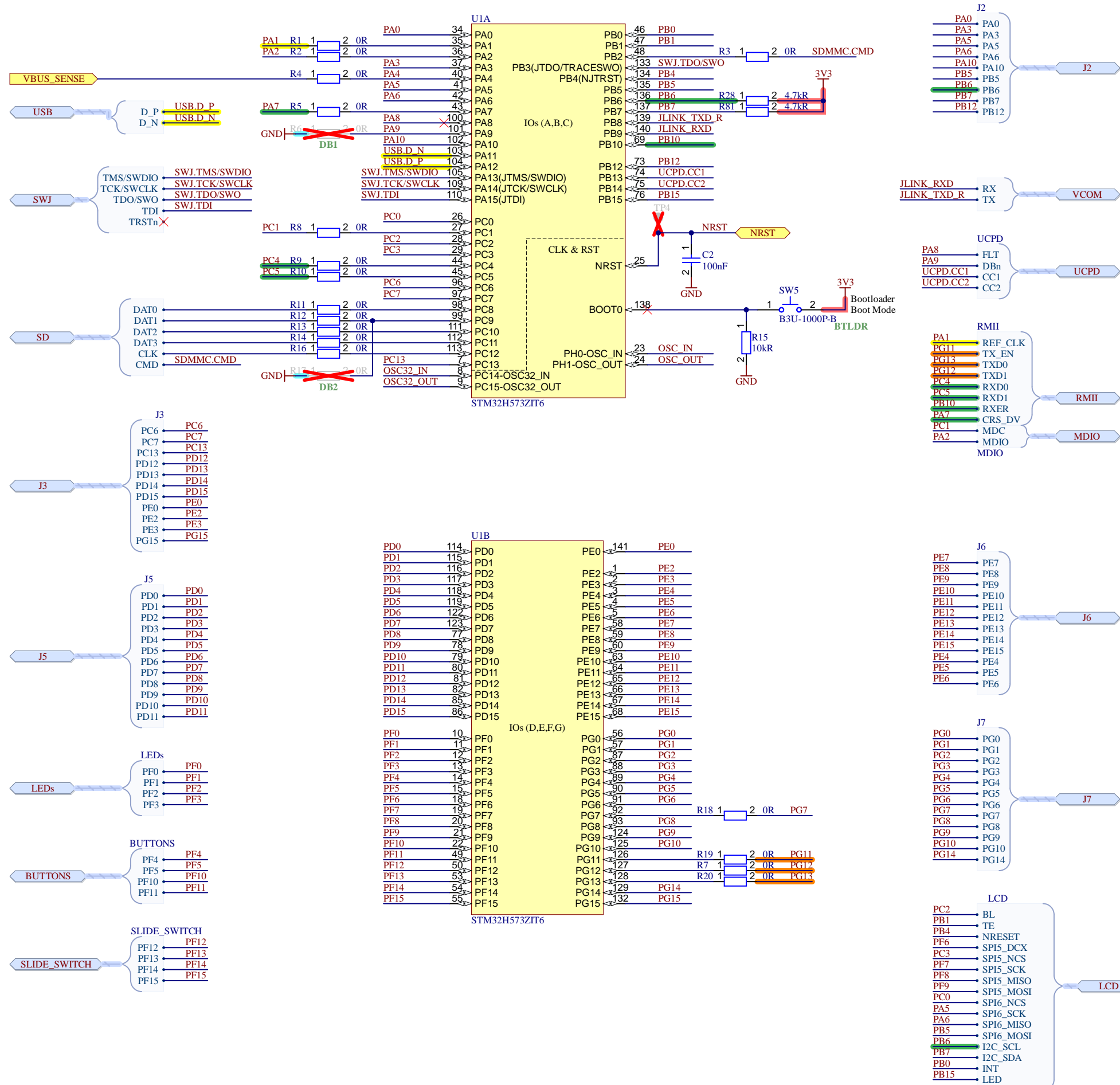


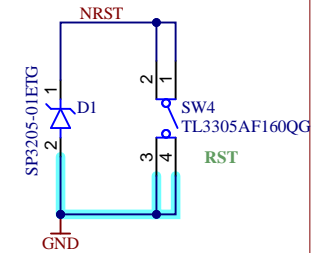
Hardware note

Rev	Date	Sign	Release Notes
zhaw School of Engineering <small>InES Institute of Embedded Systems</small>			Zurich University of Applied Sciences Institute of Embedded Systems Technikumstrasse 9 CH-8401 Winterthur
Project Name		Variant: Default Assembly	
MC1-Board			
Sheet Name		Doc Number	
MC1-Board Gen2		n/a	
Revision:	2.02	Date:	28.04.2026
Author:	frtt		
File:	MC1_Board_Gen2.SchDoc		
Repo:	https://github.zhaw.ch/InES/MC1_STM32H5		
VC Rev:			Sheet 1 of 8

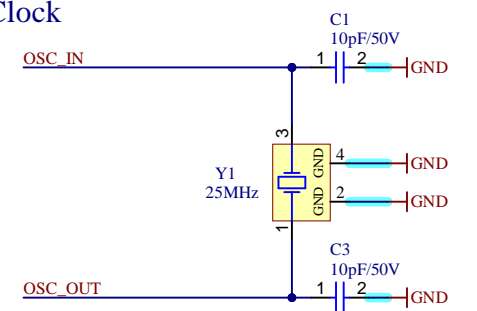
STM32 IOs



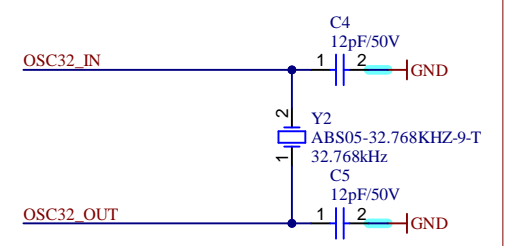
Reset Button



External System Clock



External 32kHz Clock



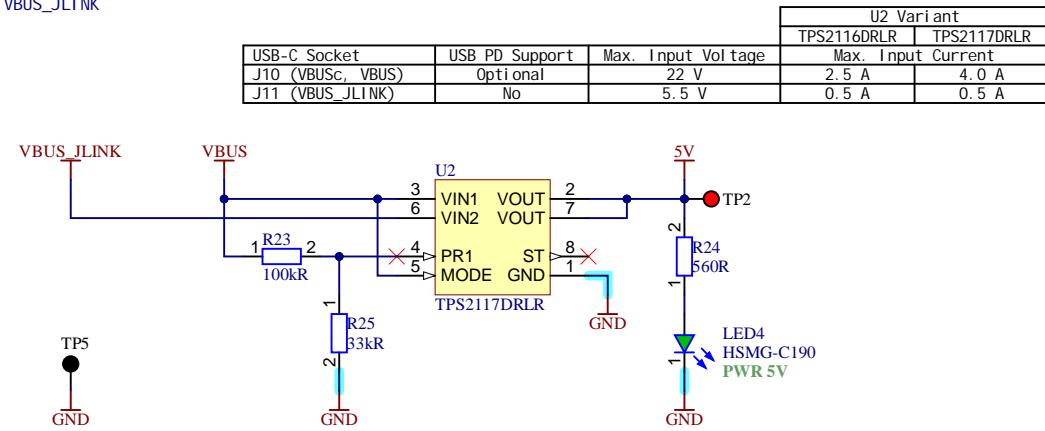
zhaw School of Engineering
 InES Institute of Embedded Systems
 Zurich University of Applied Sciences
 Institute of Embedded Systems
 Technikumstrasse 9
 CH-8401 Winterthur

Project Name	Variant: Default Assembly
MC1-Board	
Sheet Name	Doc Number
STM32H573	n/a
Revision: 2.02	Date: 12.01.2026
Author: frtt	
File: STM32H573.SchDoc	
Repo: https://github.zhaw.ch/InES/MC1_STM32H5	
VC Rev:	Sheet 2 of 8

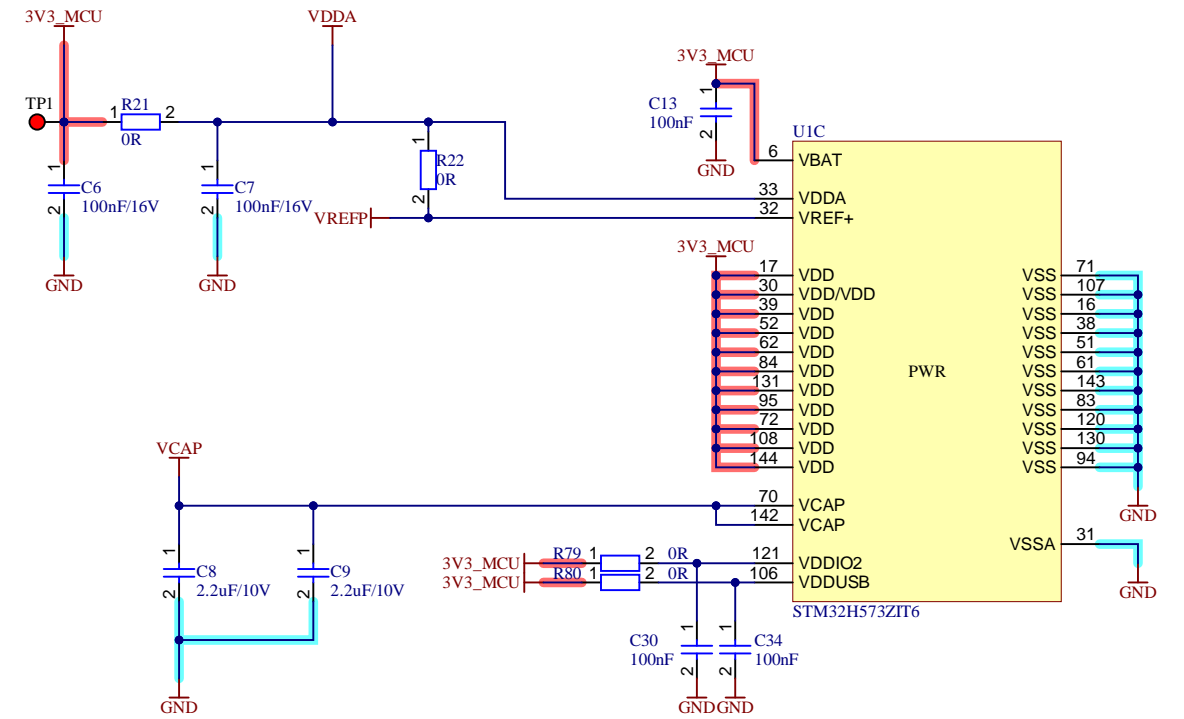
VBUS Power Mux

VBUS : 5 V, 3.0 A max
 VBUS_JLINK : 5 V, 0.5 A max

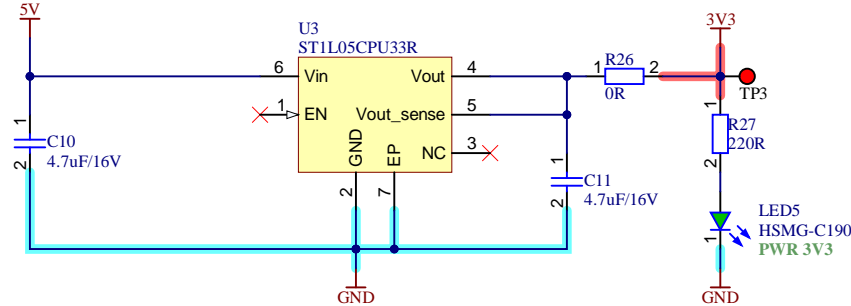
VBUS is prioritized over VBUS_JLINK



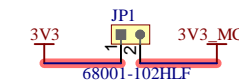
STM32 Power



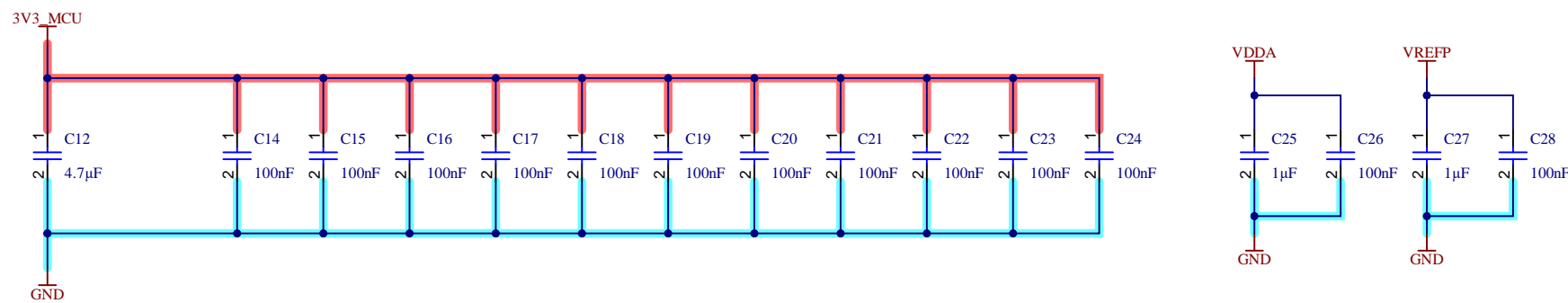
3.3V Supply

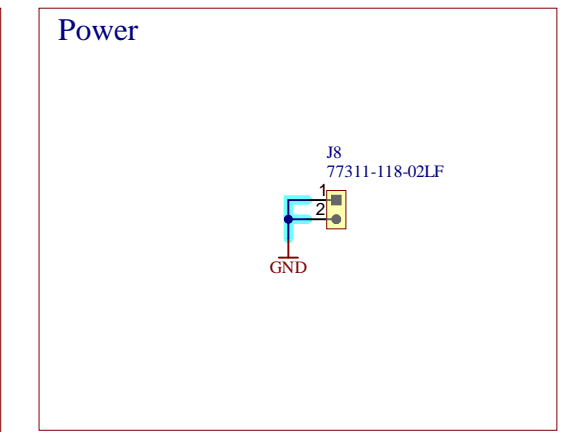
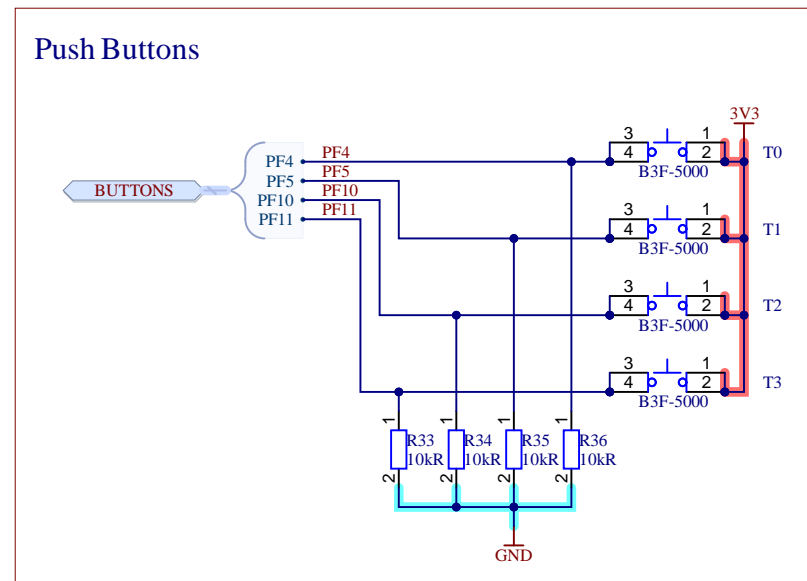
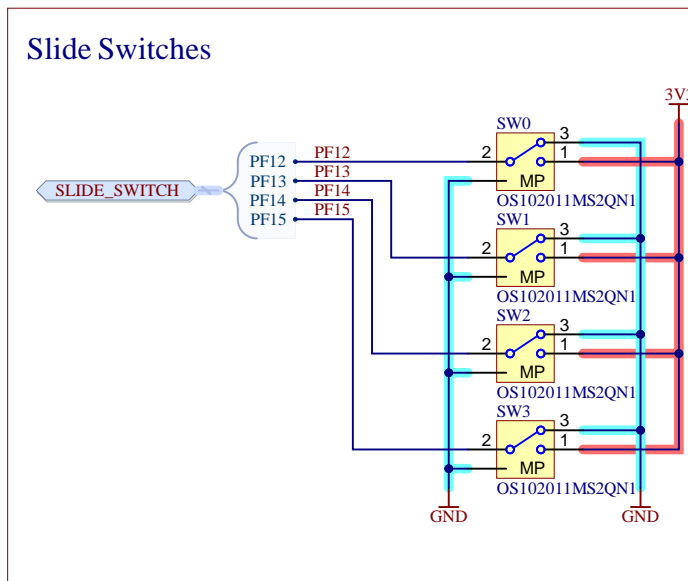
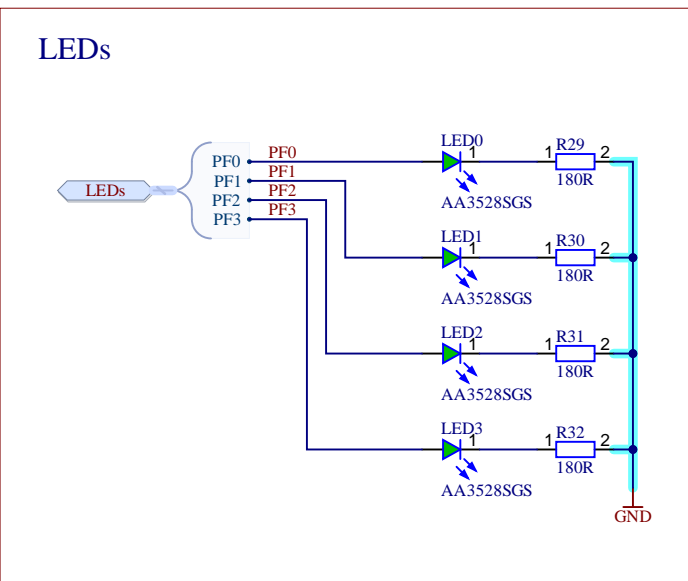
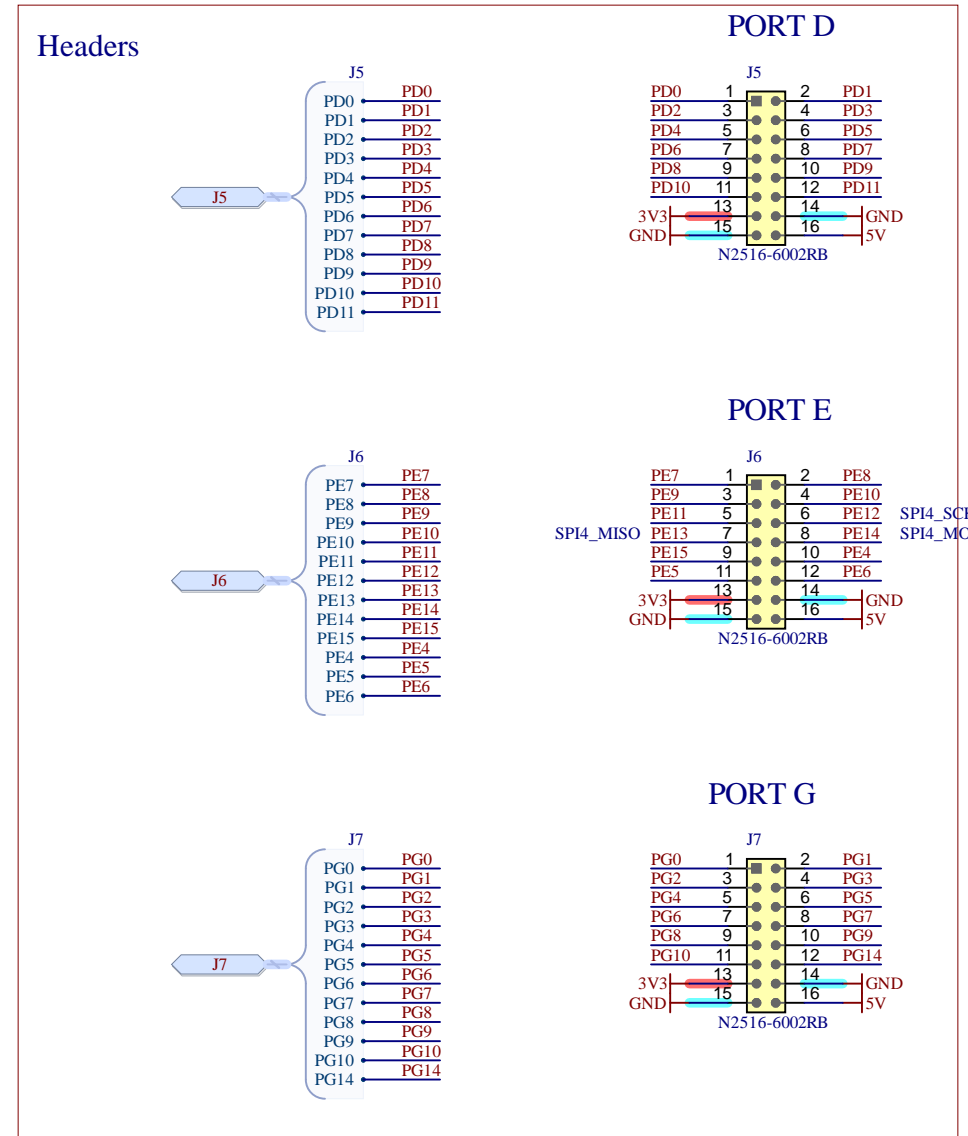
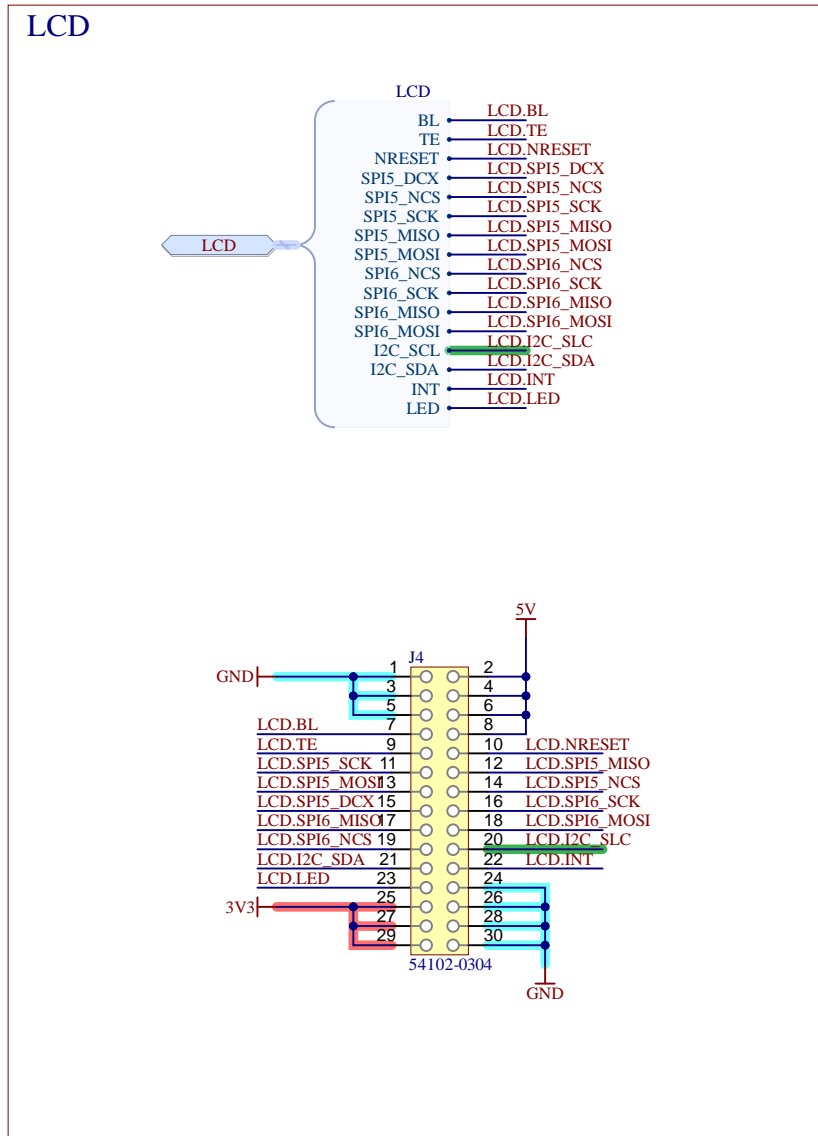
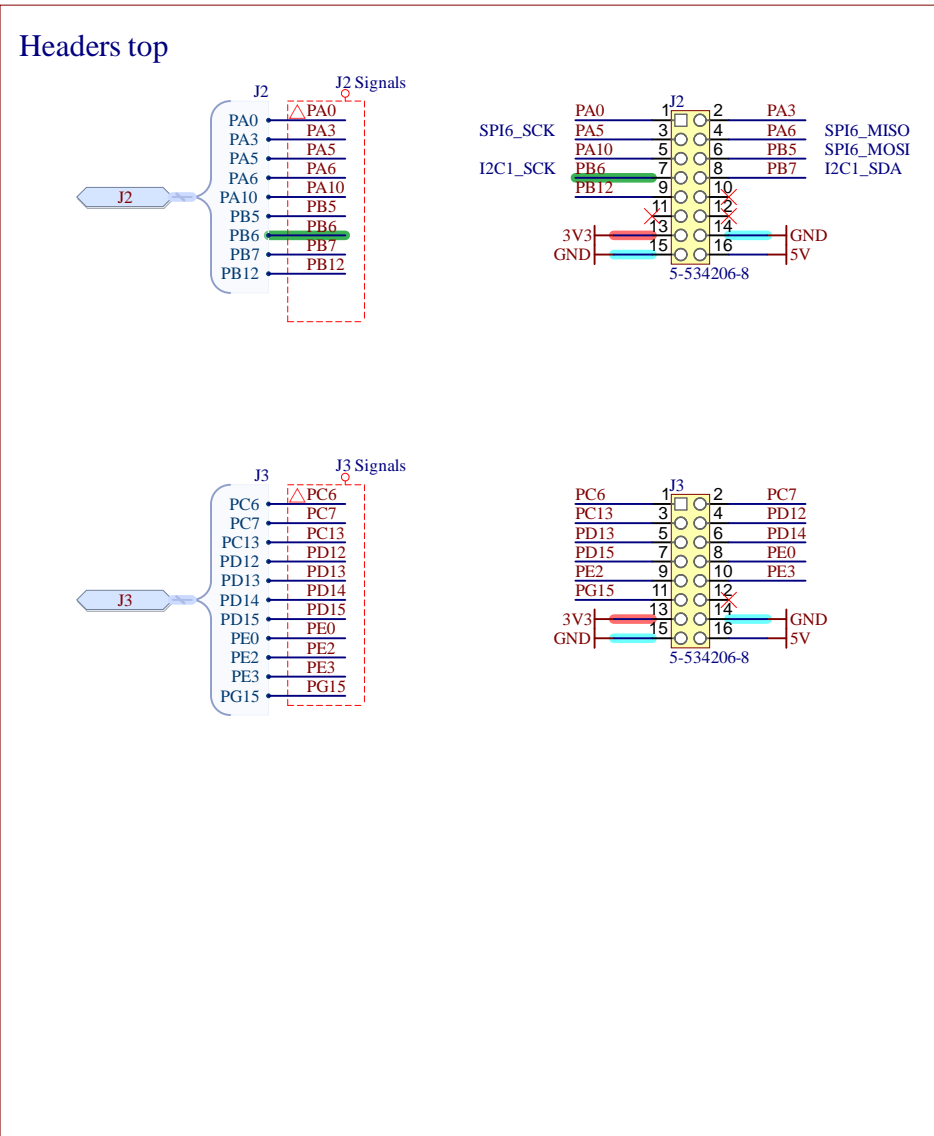


IDD Measurement

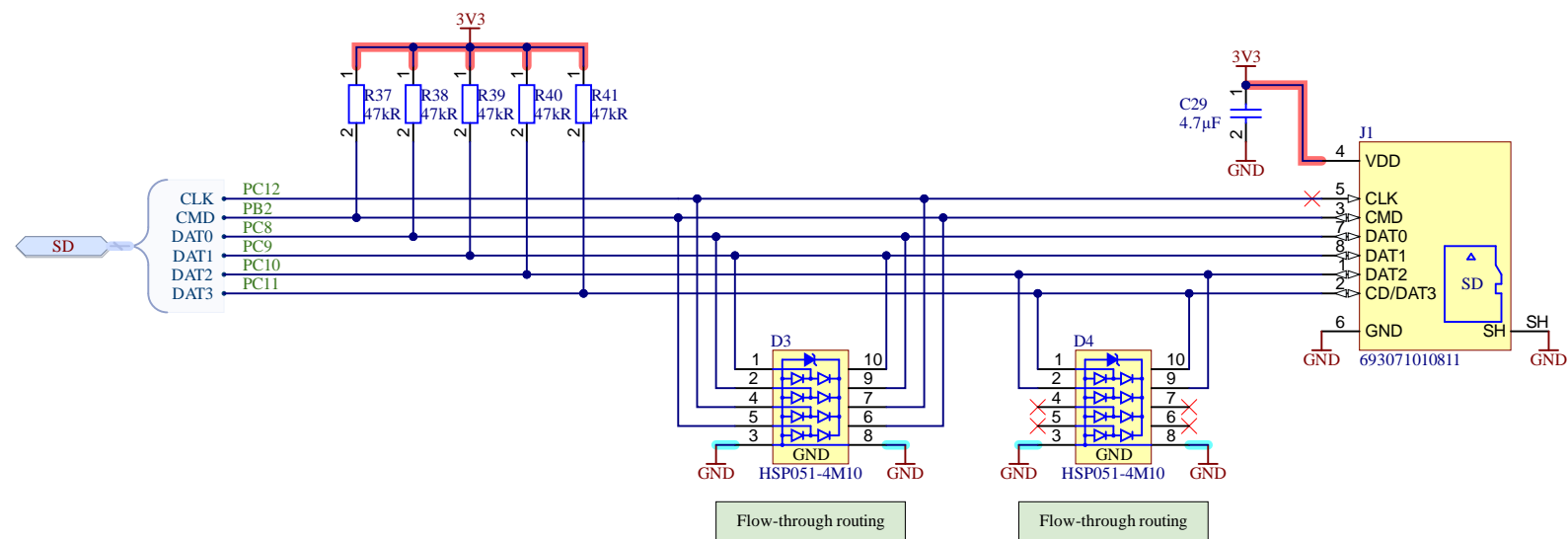


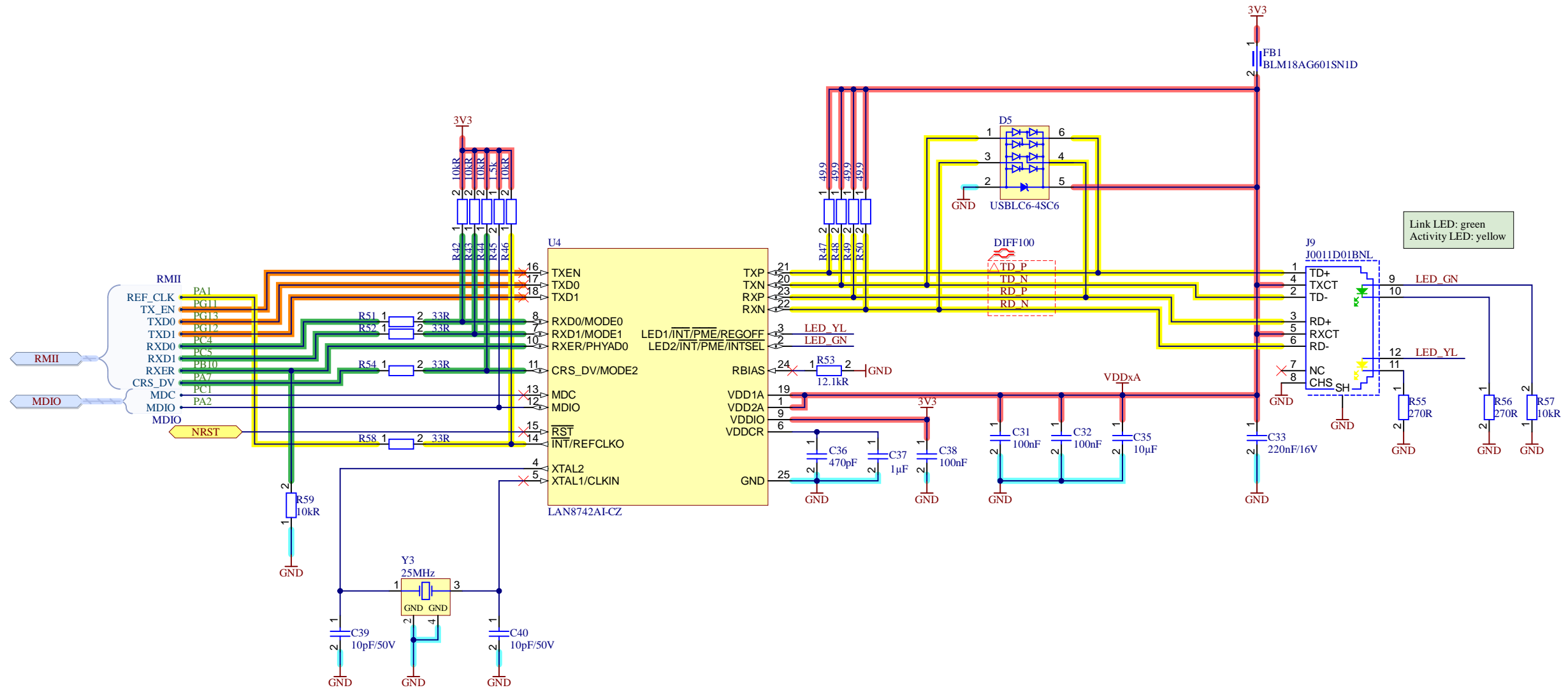
STM32 Decoupling Capacitors






School of Engineering <small>InES Institute of Embedded Systems</small>		Zurich University of Applied Sciences Institute of Embedded Systems Technikumstrasse 9 CH-8401 Winterthur	
Project Name		Variant: Default Assembly	
MC1-Board			
Sheet Name		Doc Number	
I/O		n/a	
Revision: 2.02	Date: 28.04.2026	Author: frtt	
File: UI_and_IO-Connectors.SchDoc			
Repo: https://github.zhaw.ch/InES/MC1_STM32H5			
VC Rev:		Sheet 4 of 8	





Link LED: green
Activity LED: yellow

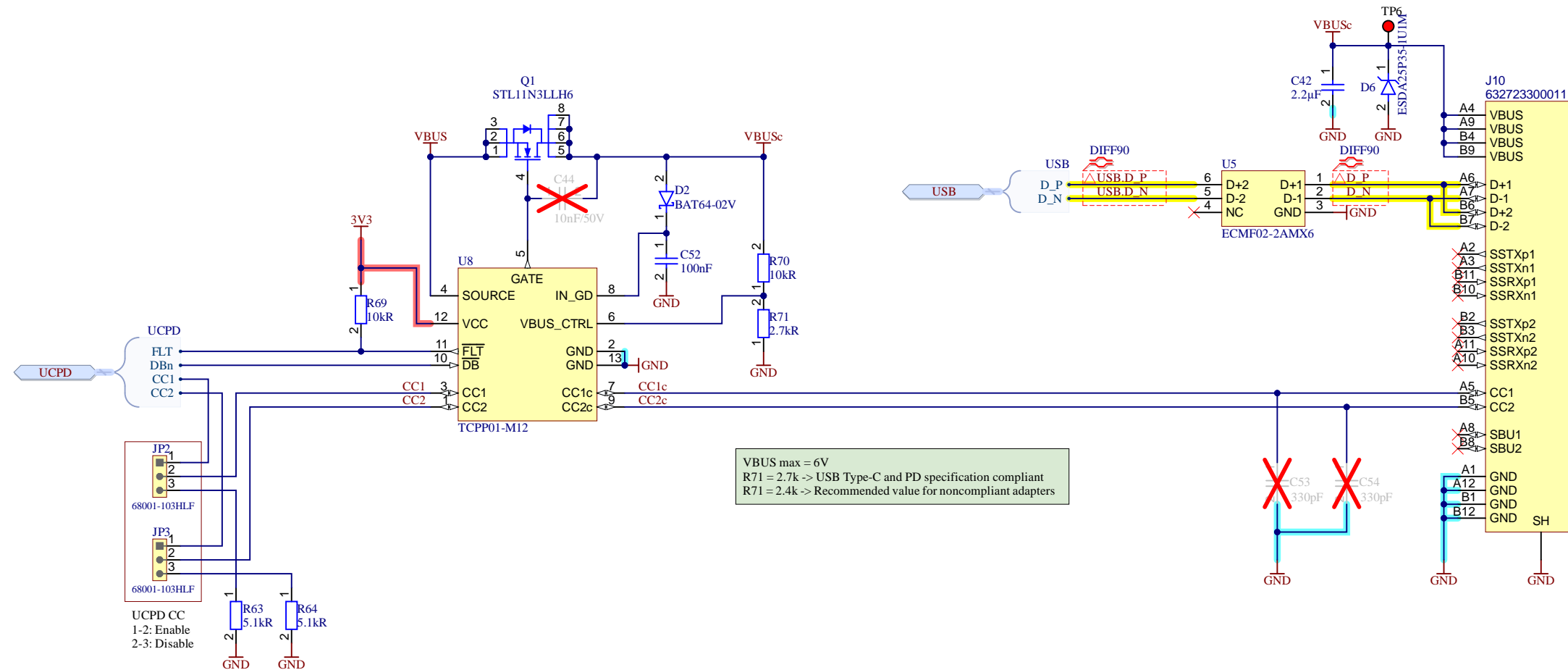
 School of Engineering <small>InES Institute of Embedded Systems</small>		Zurich University of Applied Sciences Institute of Embedded Systems Technikumstrasse 9 CH-8401 Winterthur	
Project Name		Variant: Default Assembly	
MC1-Board			
Sheet Name		DocNumber	
Ethernet		n/a	
Revision: 2.02	Date: 22.09.2025	Author: frtt	
File: Ethernet.SchDoc			
Repo: https://github.zhaw.ch/InES/MC1_STM32H5			
VC Rev:			Sheet 6 of 8

USB Type-C UFP

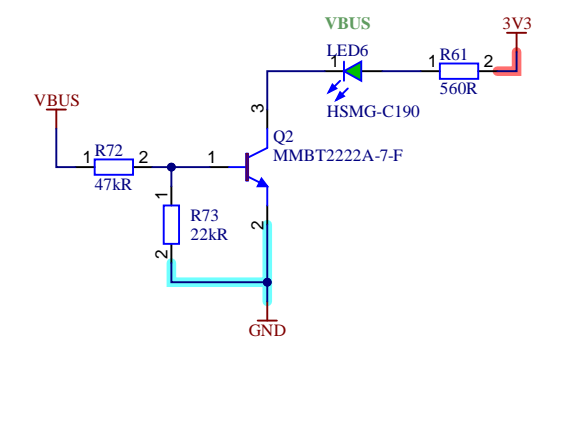
USB Type-C Upstream Facing Port (sink, consumer).

Data rate
USB 2.0 Full-Speed (12 Mbit/s) with optional

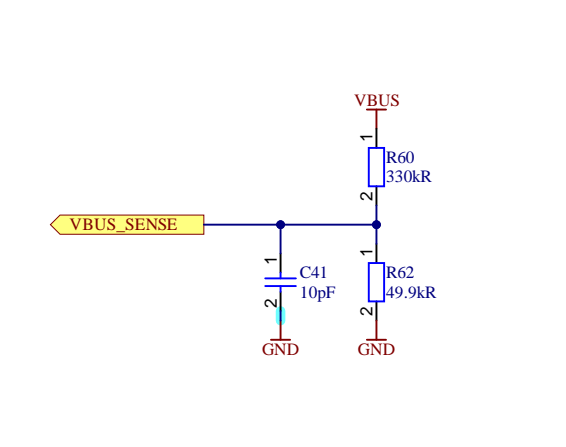
Power
Default: 2.5 W (5 V, 0.5 A)
Max.: 15 W (5 V, 3.0 A), with Power Delivery (PD)



VBUS LED



VBUS SENSE



zhaw School of Engineering
InES Institute of Embedded Systems

Zurich University of Applied Sciences
Institute of Embedded Systems
Technikumstrasse 9
CH-8401 Winterthur

Project Name		Variant: Default Assembly
MC1-Board		
Sheet Name	USB Type-C UFP	DocNumber n/a
Revision: 2.02	Date: 22.09.2025	Author: frtt
File: USB.SchDoc		
Repo: https://github.com/zhaw.ch/InES/MC1_STM32H5		
VC Rev:		Sheet 7 of 8

